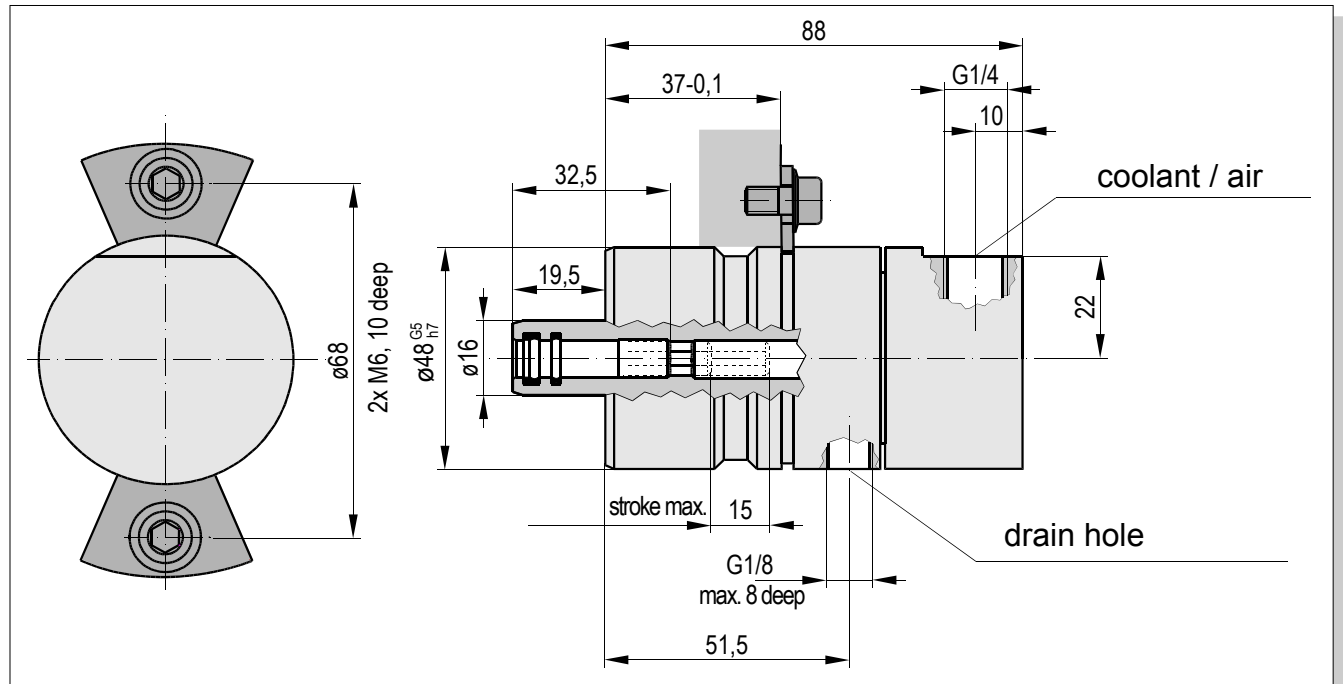
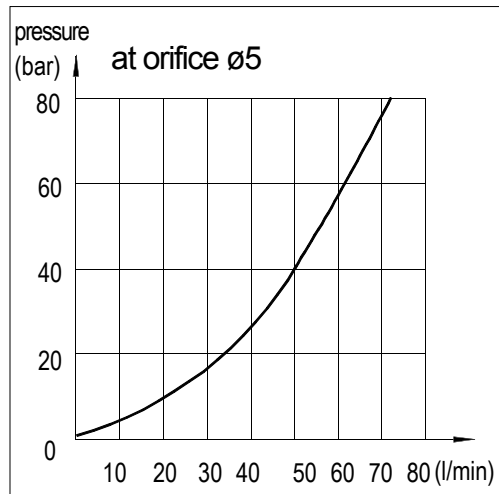


## dimension



## flow volume



## technical data

spindle speed max. ....	36000	min <sup>-1</sup>
coolant pressure max.....	80	bar
cleaning air max.; n = 0 min <sup>-1</sup> .....	10	bar
pressure air max.; n < 10000 min <sup>-1</sup> .....	5	bar
required media purity according to ISO 4406.....	-/16/13	
filter grade.....	<50	$\mu\text{m}$

## features

- hybrid bearing
- closed sealing surface
- balanced design
- coolant
- minimum volume lubrication (mixed externally)  $p_{\text{max}} = 5 \text{ bar}$
- dry operation

## code

2	1
---	---

Subject to modification due to technical advance!

95.100.213.D.E / 2002-10

OTT-JAKOB GmbH & Co  
Spanntechnik KG  
Industriestraße 3-7  
D-87663 Lengenwang

Telefon: (+49) 08364 / 98 21 -0  
Fax: (+49) 08364 / 98 21 -10  
E-mail: TechDoku@Ott-Jakob.de