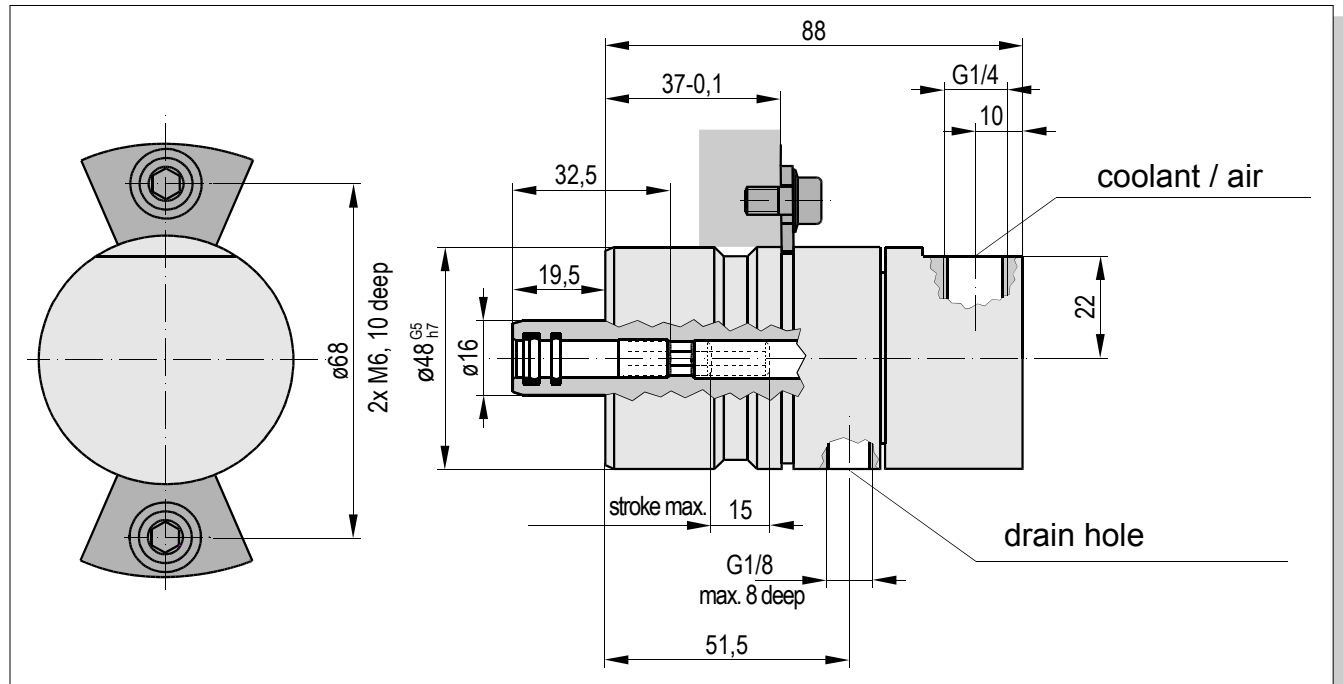
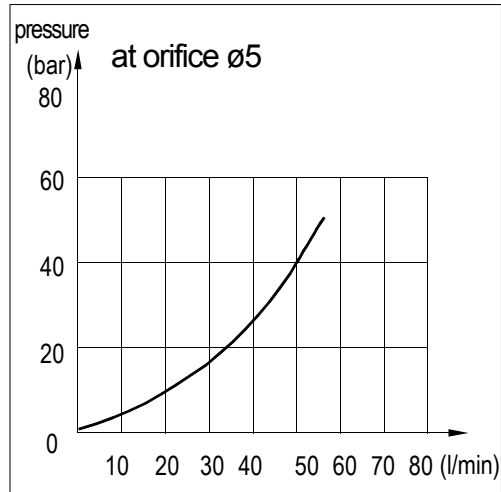


dimension



flow volume



technical data

spindle speed max.	16000	min ⁻¹
coolant pressure max.....	50	bar
cleaning air max.; n = 0 min ⁻¹	10	bar
pressure air max.; n < 10000 min ⁻¹	5	bar
required media purity according to ISO 4406.....	-/16/13	
filter grade.....	<50	μm

features

- closed sealing surface
- coolant
- minimum volume lubrication (mixed externally) $p_{\text{max}} = 5 \text{ bar}$
- dry operation

code

2 3

Subject to modification due to technical advance!

95.100.227.D.E / 2002-10

OTT-JAKOB GmbH & Co
Spanntechnik KG
Industriestraße 3-7
D-87663 Lengenwang

Telefon: (+49) 08364 / 98 21 -0
Fax: (+49) 08364 / 98 21 -10
E-mail: TechDoku@Ott-Jakob.de

JAKOB
GRUPPE