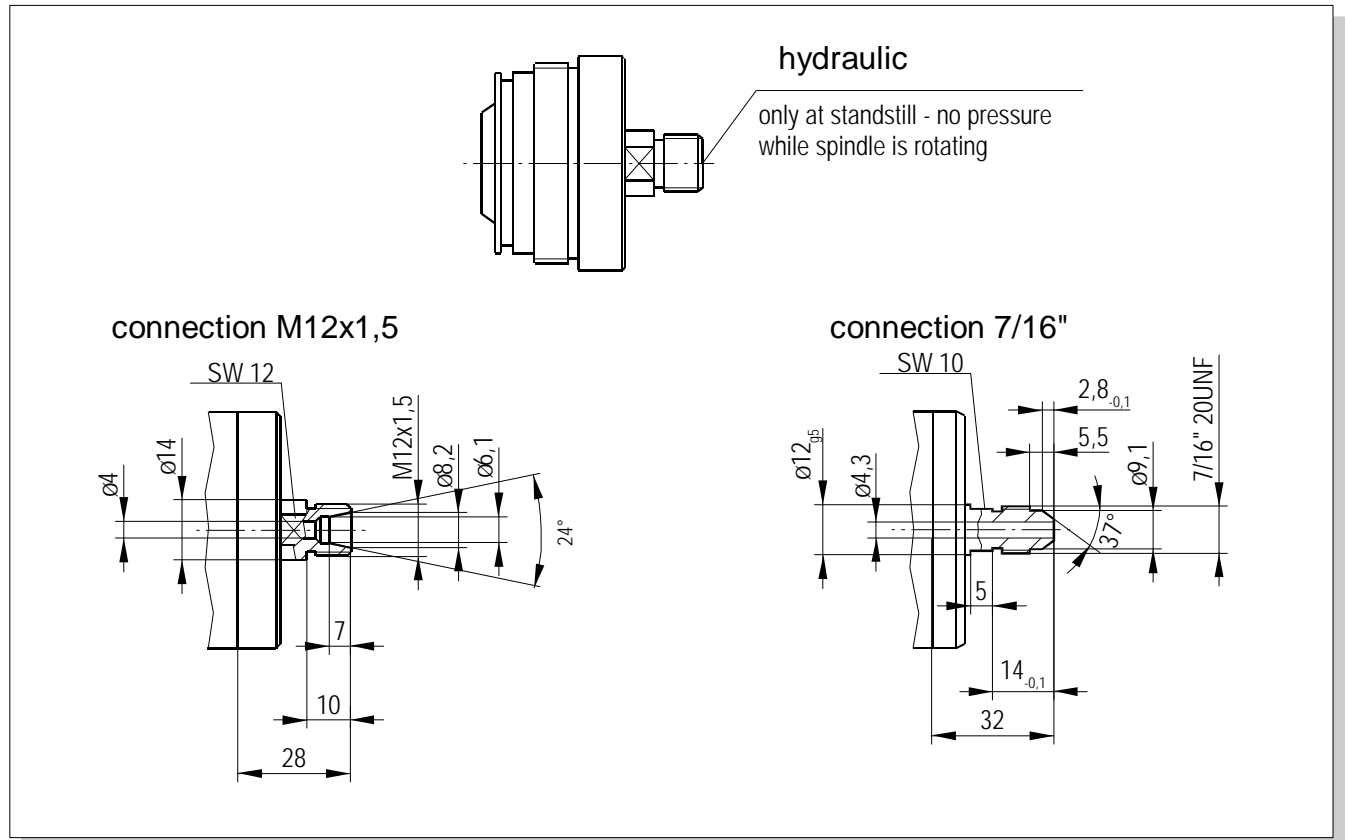


dimension



technical data

spindle speed max.	10000	min ⁻¹
hydraulic pressure max.; n = 0 min ⁻¹	160	bar

features

- rotary union for hydraulic unclamping of the power drawbar

code

1	1	connection M12x1,5
---	---	--------------------

1	2	connection 7/16"
---	---	------------------