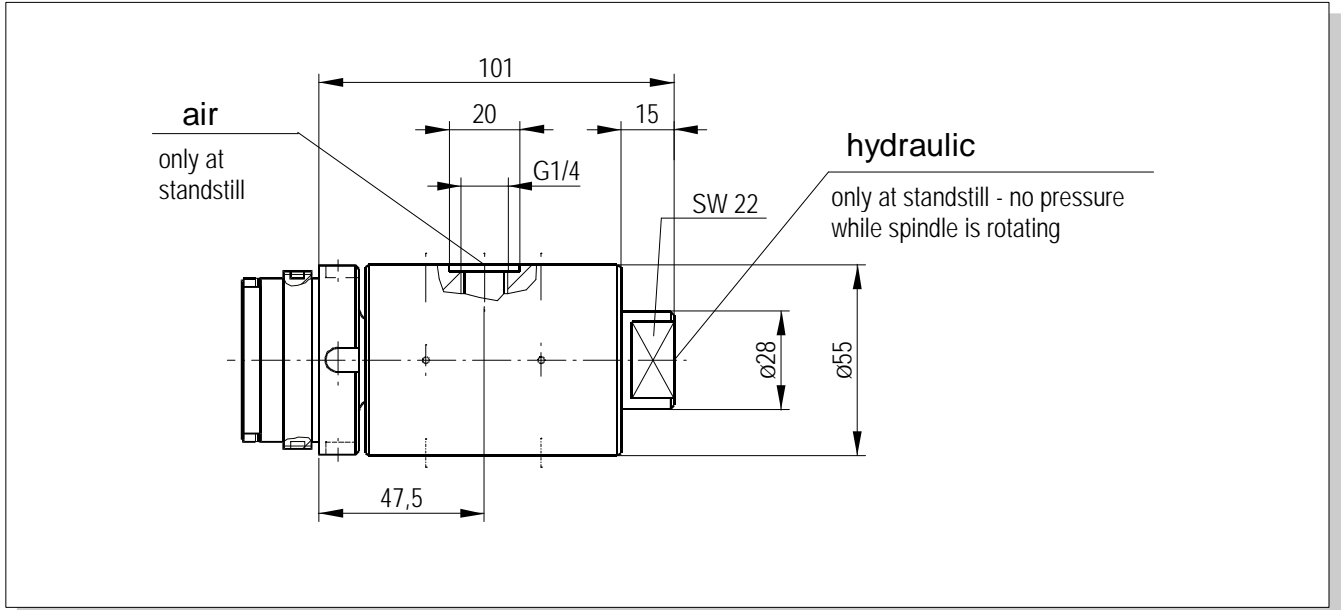


Rotary Union 2KL

dimension



technical data

spindle speed max.	10000	min ⁻¹
hydraulic pressure max.; n = 0 min ⁻¹	160	bar
air pressure max.; n = 0 min ⁻¹	10	bar

features

- cleaning air during tool changing
- hydraulic unclamping of power drawbars

code

1	4
---	---