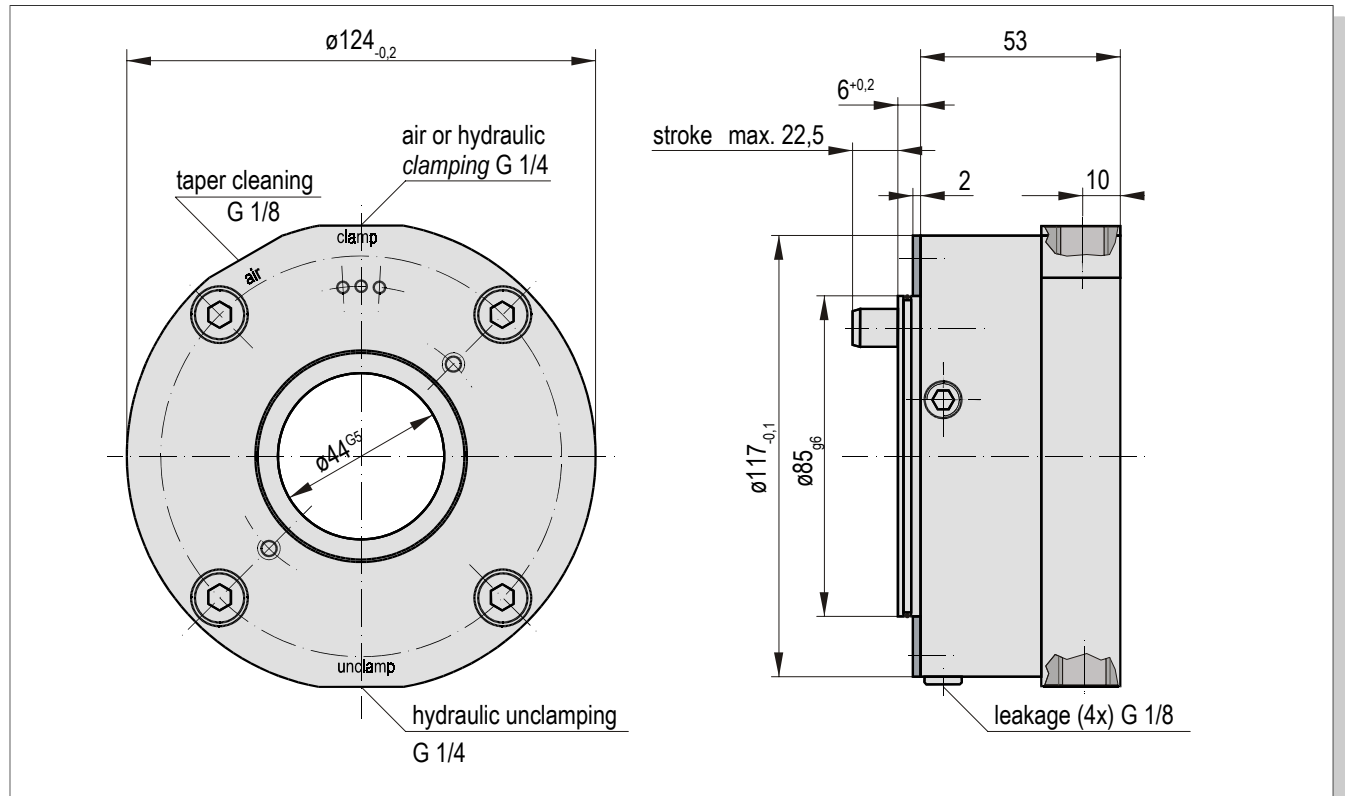


dimension



technical data

release pressure at 120 bar.....	38,5	kN
piston area <i>unclamping</i>	32,11	cm ²
piston area <i>clamping</i>	19,55	cm ²
hydraulic pressure <i>unclamping</i> max.	120	bar
air or hydraulic pressure <i>clamping</i> min.....	5	bar

features

- short design
- easy to assemble
- RPM independant
- leakage connection
- purge passage
- suitable for holding 1K-rotary unions

code

1	1
---	---

Subject to modification due to technical advance!

95.100.258.D.E / 2002-09